

## STEP 9 - BRIDGE AND RUNWAY TAGLINE INSTALLATION

### ➔ Steel Track (Bridges and Runways)

9.1 Slide tagline brackets onto each end of bridge and/or runway and tighten clamp hardware (*diagrams 9A* and *9B*).

**Note:** This will require removal of endstop hardware. This hardware must be re-installed immediately after tagline bracket is installed.

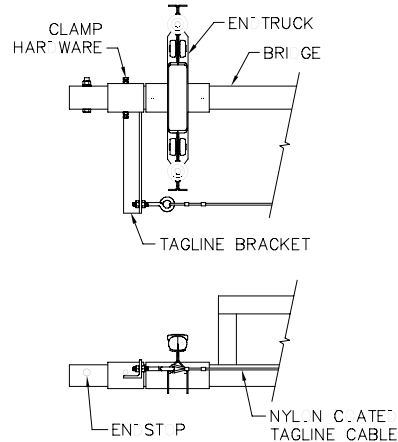


Diagram 9A. Tagline on steel bridge.

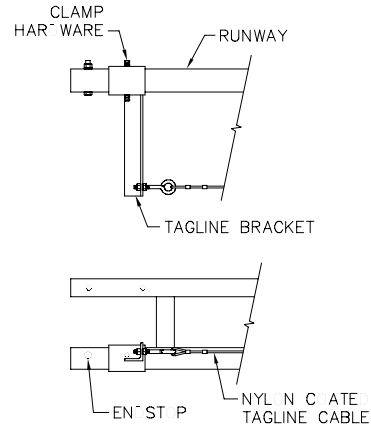


Diagram 9B. Tagline on steel runway.

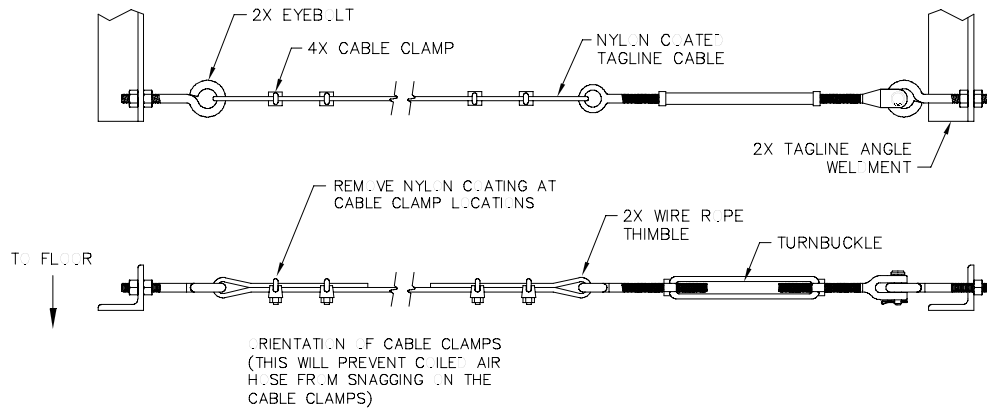


Diagram 9C. Tagline cable assembly.

9.2 Attach eyebolts onto tagline brackets. Attach turnbuckle to one eyebolt. Loop cable through eyebolt or turnbuckle and turn back 4-3/4" of cable on a thimble. Apply first clamp 1" from the dead end of the cable and tighten U-bolt to 15 ft.-lbs. of torque. Apply the second clamp as close to thimble as possible. Tighten U-bolt to 15 ft.-lbs. of torque (*diagram 9D*).

9.3 Add any S-hooks, wire rope trolleys, or coiled air hose to the cable prior to attaching the other end.

9.4 Secure other end of the cable as in Step 9.2.

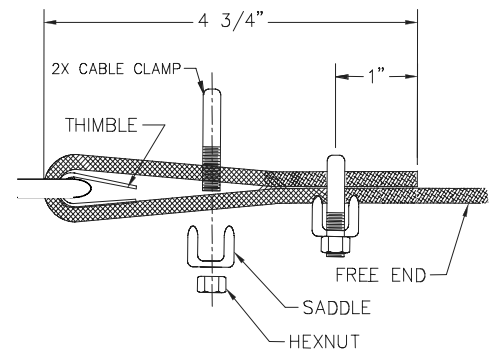


Diagram 9D. Saddling the cable on one end.

Sales & Service:

***BARNES & ASSOCIATES***



**Ergonomic Workplace Solutions**



9200 GALE ROAD  
WHITE LAKE, MI 48386

248-886-8646

[www.BarnesAsso.com](http://www.BarnesAsso.com)