

**Telescopic Mast Kit
For LIFT-O-FLEX® 20000 and 19000 Series Lifters**



Sales & Service:



9200 GALE ROAD
WHITE LAKE, MI 48386

248-886-8646

www.BarnesAsso.com

**Telescopic Mast Kit
For Lift-O-Flex 20000 and 19000 Series Lifters**

Telescopic Mast Kit
For LIFT-O-FLEX® 20000 and 19000 Series Lifters

TABLE OF CONTENTS

1 Telescopic Mast Kit	3
1.1 Warranty	4
2. Assembly Instructions	4
2.1 Assembly	4
2.2 Disassembly	5
3. Operating instructions	6
3.1 Operating	6
3.1.1 Lifting	6
3.1.2 Trouble Shooting	6
3.2 Maintenance.....	6
4 Telescopic Lift Mast 17182B for 20000 Series Lifters	7
5 Telescopic Lift Mast 19271B for 19000 Series Lifters	8
6 Telescopic Lift Mast 19295 for 19000 Series Lifters	9

Telescopic Mast Kit
For LIFT-O-FLEX® 20000 and 19000 Series Lifters

1 Telescopic Mast Kit

NOTE: It is important that you read and fully understand this manual before using your Telescopic Mast Kit (If you have any questions contact your distributor or manufacturer).

GENERAL DATA:

Type: 17182B Telescopic Mast Kit for 20000 Series LIFT-O-FLEX® Lifters
Total capacity: 130-lbs. Including end-effector
Material: Aluminum
Weight: approximately 25 lb.

Type: 19271B Telescopic Mast Kit for 19000 Series LIFT-O-FLEX® Lifters
Total capacity: 240-lbs. Including end-effector
Material: Aluminum
Weight: approximately 25 lb.

Type: 19295 Telescopic Mast Kit for 19000 Series LIFT-O-FLEX® Lifters
Total capacity: 320-lbs. Including end-effector
Material: Aluminum
Weight: approximately 40 lb.

Good working environment:

The Telescopic Mast Kit (used in conjunction with the LIFT-O-FLEX (is provided to assist in handling loads at higher than normal lift heights and/or to provide for lifter access to areas that require high lifting capabilities while passing through normal door heights. The unit provided will also help to prevent injuries as well as create safer conditions for people that already suffer from injuries related to the moving of heavy objects. The lifter has been designed to be used in warehouses, industrial plants, institutional kitchens, drug stores, post offices, etc.

Flexible:

The Telescopic Mast Kit can be provided as either a completed unit on a new lifter or retrofitted on an existing lifter should your lift height requirements change after your lifter has been in service.

The Telescopic Mast Kit uses standard lift masts. These are the same type masts that are used on the LIFT-O-FLEX® lifters. These masts come in a variety of standard lift strokes and lengths so that meeting your lift height requirements is easy to achieve. As noted above, if your lift height needs change, others masts are available to meet your requirements.

Telescopic Mast Kit
For LIFT-O-FLEX® 20000 and 19000 Series Lifters

1.1 Warranty

The warranty on the equipment is valid for one (1) year from the date of shipment. It warrants the end-effector to be free from defects in material and workmanship.

For the warranty to be valid all maintenance according to the instruction manual must have been carried out. This warranty does not cover normal maintenance, calibration or regular adjustments as specified in the operating instructions.

Abuse and/or careless operation will make this warranty invalid.

This warranty is exclusive and is in lieu of all other warranties, expressed or implied, including any implied warranty of merchantability or fitness for a particular purpose, each of which is hereby expressly disclaimed.

2. Assembly Instructions

The Telescopic Mast Kit is delivered in a cardboard box.

2.1 Assembly

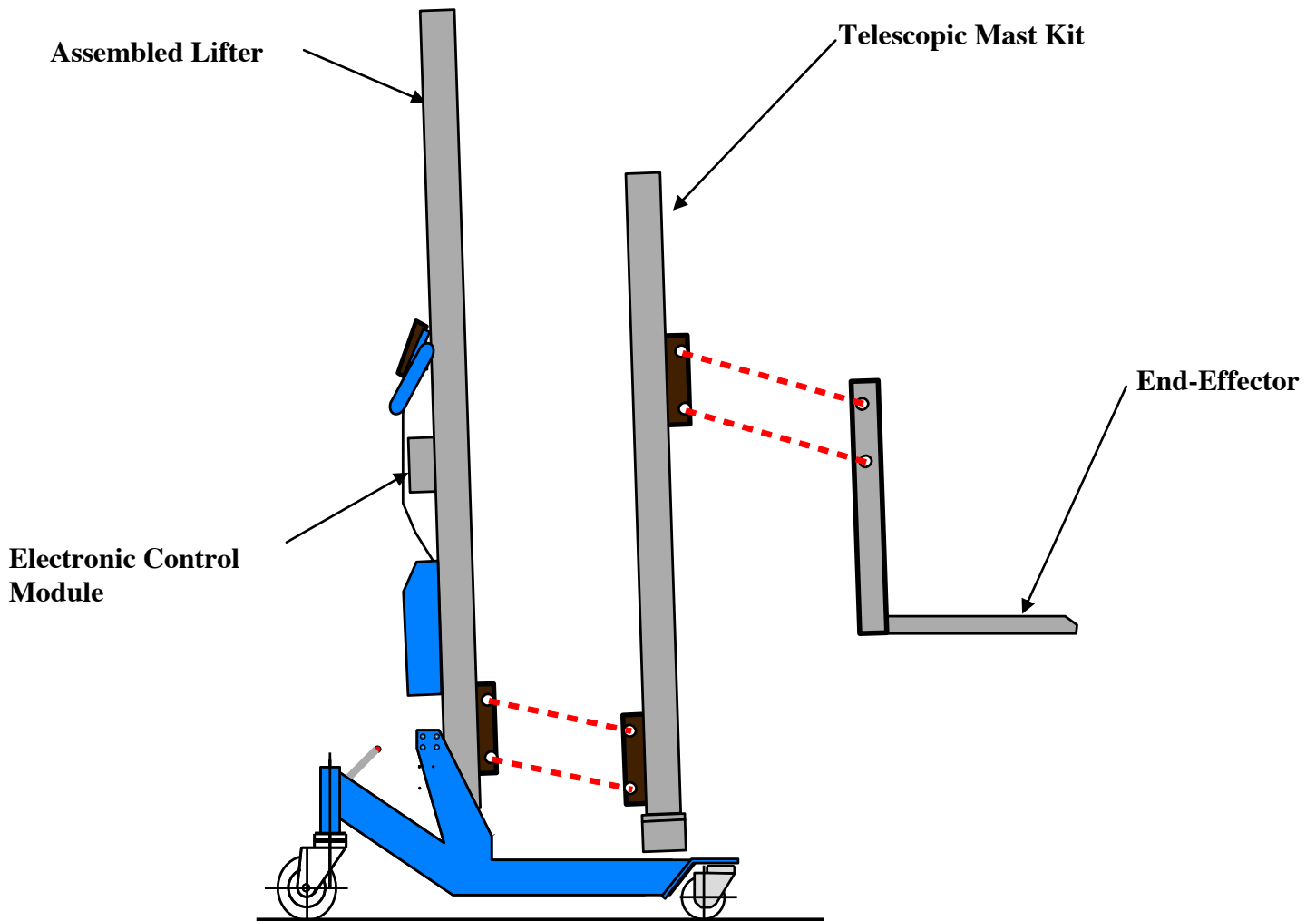
Assembly instructions

1. After assembling the lifter, the next operation is to mount the Telescopic Mast Kit (Push the brake rod to its lowest position, i. e the rear wheels are now locked).
2. Remove the Handlebar from the lifter.
3. Pick up the Telescopic Mast Kit and mount on the mounting slide on the lift mast with the 2-bolts provided. Care of the cable and electronic control module should be exercised so that they are not damaged during this process.
4. Take the Telescopic Mast Kit Electronic Control Module and slide the mounting brackets (2) into the slot on the backside of the lift mast. Then lower it until it stops just over the Electronic Power Pack and tighten the two bolts with an open-end wrench (13-mm). Plug the power cable for the Tip Kit into the Battery Charge port on the back of the Electronic Power Pack.

**Telescopic Mast Kit
For LIFT-O-FLEX® 20000 and 19000 Series Lifters**

5. Take the handle previously removed and reinstall in the slot on the backside of the lift mast and lock it in place at a comfortable height. Make sure that the Remote Control Holder is placed on the handle in an adequate position. Then place the Remote Controller (2) on the holder and connect the contact (DIN) into its outlet on the power package.
6. Install end-effector by mounting it in the lift slide with the 2-8mm bolts provided.

The lifter with Telescopic Lift Mast is now ready to operate.



2.2 Disassembly

To disassemble the unit, refer to item 2.1 above with reversal order.

Telescopic Mast Kit
For LIFT-O-FLEX® 20000 and 19000 Series Lifters

3. Operating instructions

3.1 Operating

In order to prevent and avoid work injuries it is important that the Telescopic Mast Kit be operated in a proper manner.

3.1.1 Lifting

Important!

The maximum lift capacity is limited to (see specification ratings in Section 1).

The Telescopic Mast Kit is not to be used for any other purpose than designed which is provide for the lifting material to a higher than normal lift height.

Place your LIFT-O-FLEX Lifter (with Telescopic Mast Kit in the working area). Make sure to always apply the brake before starting to load or unload the lifter. To apply the brakes, push the brake rod forward to its bottom position.

Be certain that when loading, end-effector is level with the load being handled. After loading, raise the end-effector to a safe travel height and proceed to the unload area. At the unload area, raise the end-effector to the proper elevation. Next, set the brake. After setting the brake, unload the end-effector. After unloading, release the brake, move the lifter away from the unload position and lower the end-effector to a safe travel height and proceed to the loading area for its next operation.

3.1.2 Trouble Shooting

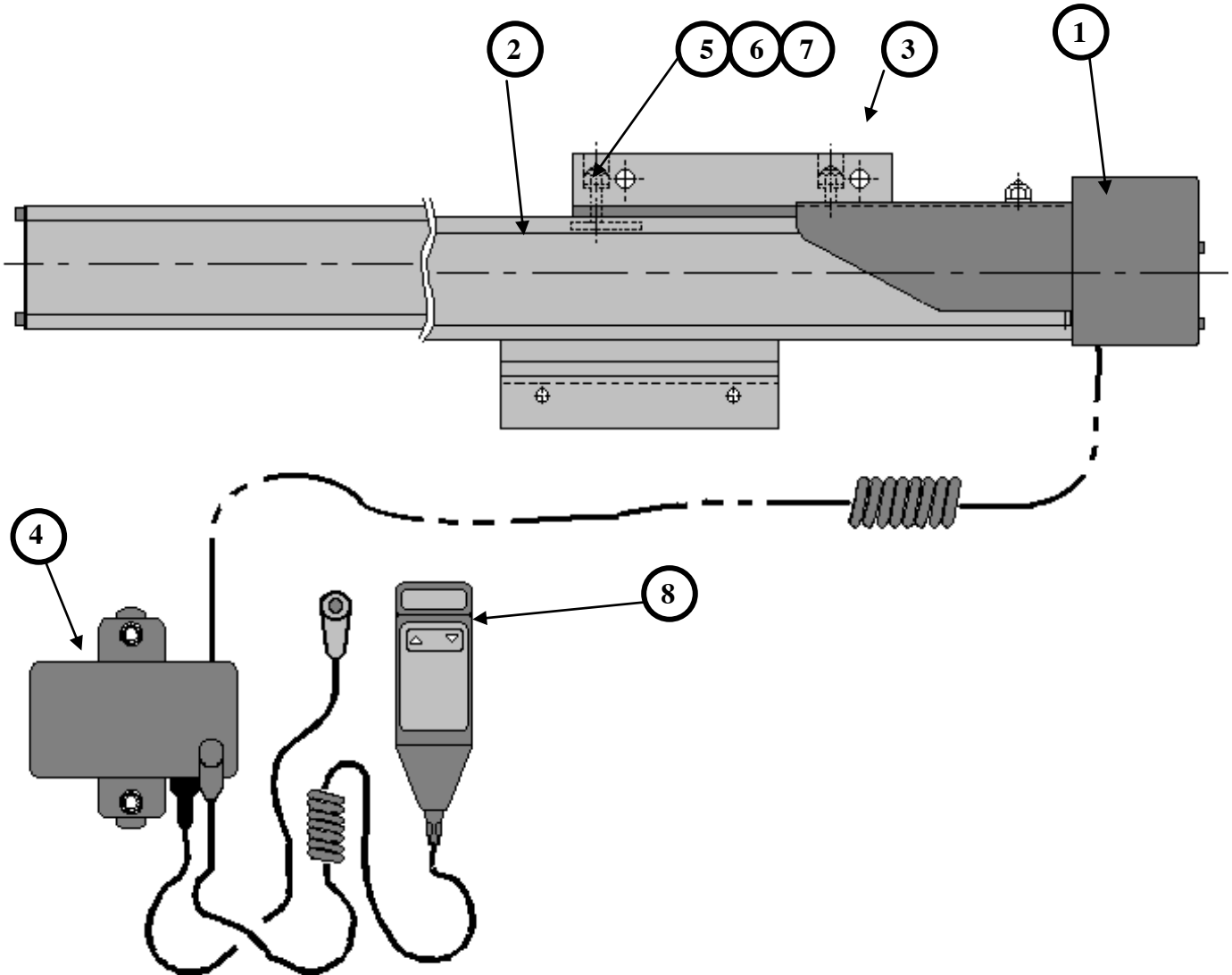
See the **LIFT-O-FLEX®** Lifter manual regarding lift mast symptoms.

3.2 Maintenance

See the **LIFT-O-FLEX®** Lifter manual regarding lift mast maintenance.

Telescopic Mast Kit
For LIFT-O-FLEX® 20000 and 19000 Series Lifters

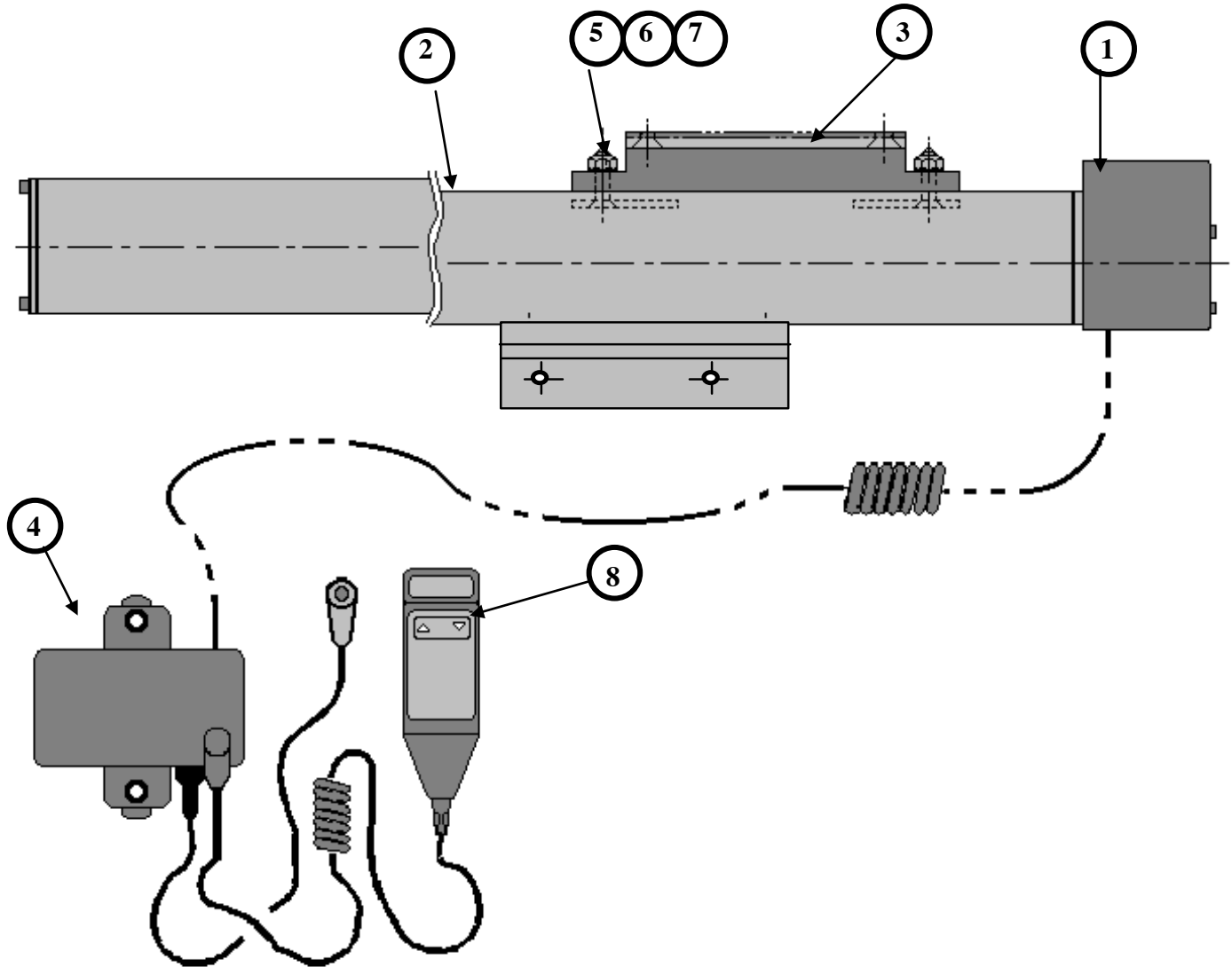
4 Telescopic Lift Mast 17182B for 20000 Series Lifters



8	1	2 Button Remote Control	17272
7	2	Nut	DIN 985 M8 fzb
6	2	Washer	BRB 8.4 HB 200fzb
5	1	Mast Locking Bar	17283-01
4	1	Electronic Control Module	17144
3	1	Mounting Bracket	16350
2	1	Lift Mast 20040 = 46.9" Lift Stroke-20041 = 56.7" Lift Stroke-20042 = 66.6" Lift Stroke-20043 = 74.4" Lift Stroke	See Mast No.
1	1	Motor Assembly w/Cover	17179
No.	Qty	Description	Part No.

**Telescopic Mast Kit
For LIFT-O-FLEX® 20000 and 19000 Series Lifters**

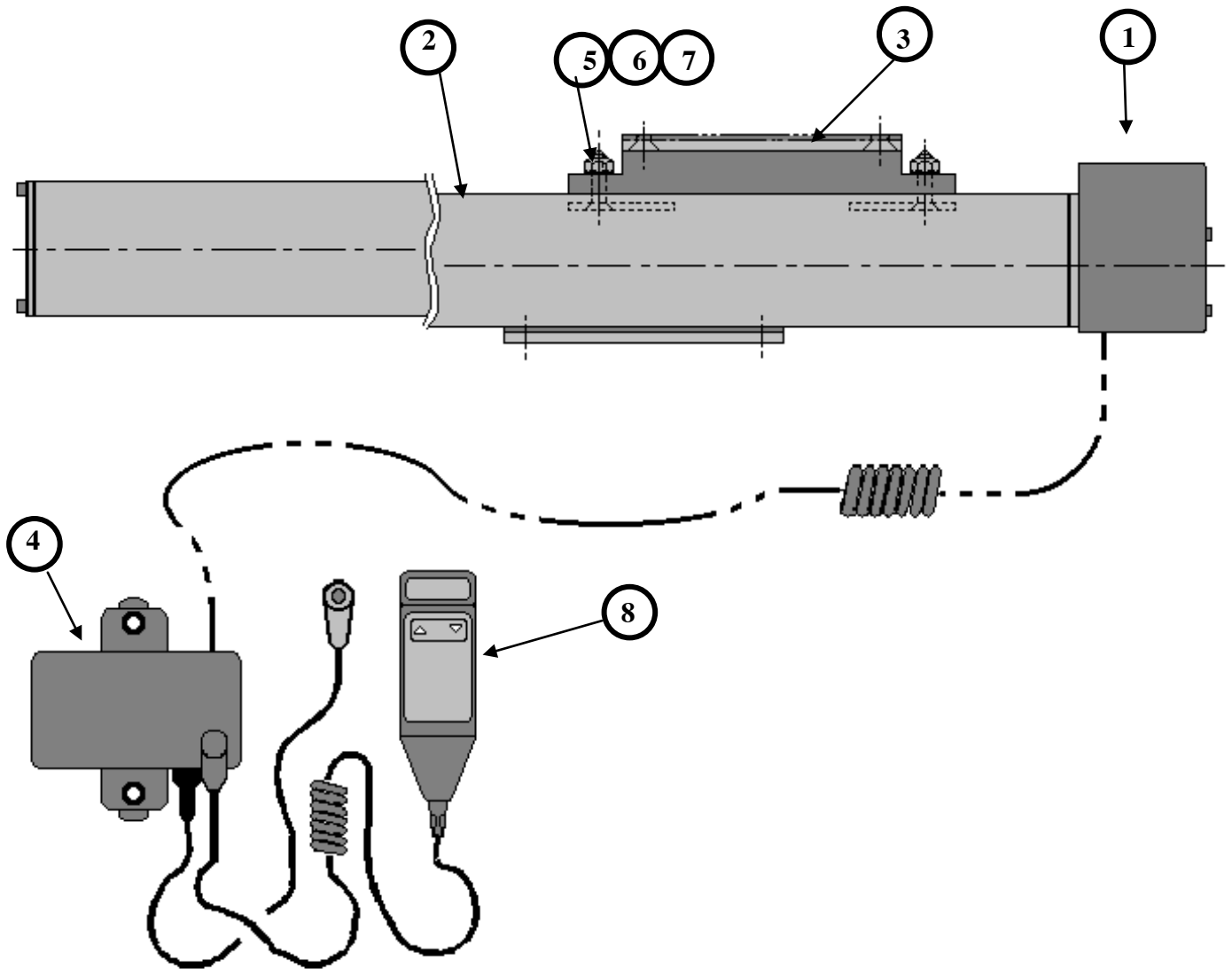
5 Telescopic Lift Mast 19271B for 19000 Series Lifters



8	1	2 button Remote Control	17272
7	2	Slide Locking Bar	19271-02
6	2	Washer	BRB 8.4 HB 200fzb
5	2	Nut	DIN 985 M8 fzb
4	1	Electronic Control Module	19259
3	1	Mounting Bracket	19271-01
2	1	Lift Mast 20040 = 46.9" Lift Stroke-20041 = 56.7" Lift Stroke-20042 = 66.6" Lift Stroke-20043 = 74.4" Lift Stroke	See Mast No.
1	1	Motor Assembly w/Cover	17179
No.	Qty	Description	Part No.

**Telescopic Mast Kit
For LIFT-O-FLEX® 20000 and 19000 Series Lifters**

6 Telescopic Lift Mast 19295 for 19000 Series Lifters



8	1	2 button Remote Control	17272
7	2	Slide Locking Bar	19271-02
6	2	Washer	BRB 8.4 HB 200fzb
5	2	Nut	DIN 985 M8 fzb
4	1	Electronic Control Module	19259
3	1	Mounting Bracket	19285-03
2	1	Lift Mast 19152=54" Lift Stroke-19153=72.5" Lift Stroke-19251=91.5" Lift Stroke	See Mast No.
1	1	Motor Assembly w/Cover	17179
No.	Qty	Description	Part No.